



DIPLEXER FILTER MODULES

DOCSIS 2.0

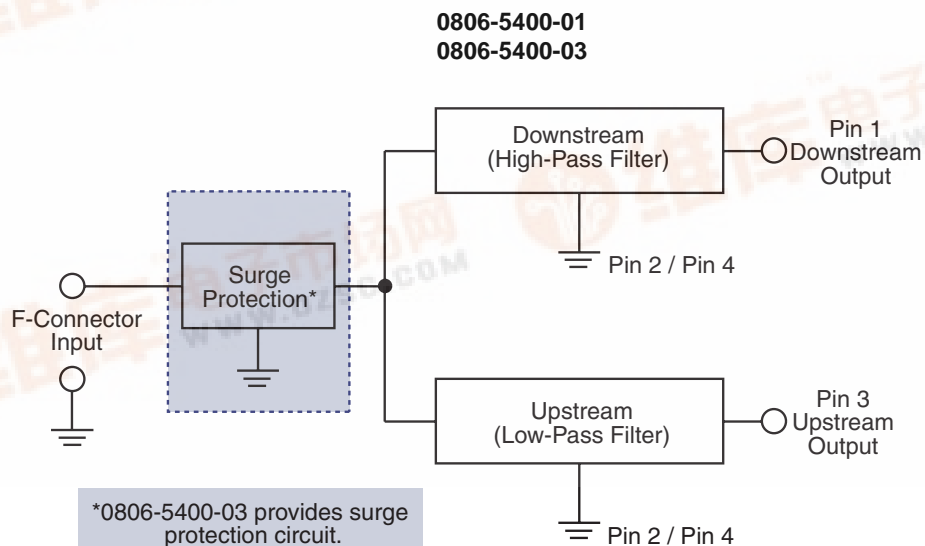
CM02402

- Optimized for use in cable modems, cable TV set-top boxes and PCI card applications
- Designed to meet Data Over Cable Service Interface Specification (DOCSIS) 2.0
- Surge protection per IEC 61000-4-5 Class 4
- Excellent insertion loss and return loss characteristics
- Pre-tuned, shielded modules with integral coaxial F-connector
- Metal housing minimizes EMI for superior performance

ELECTRICAL SPECIFICATIONS at 25° C

Low Pass Filter					
Passband Insertion Loss		Stopband Insertion Loss		Return Loss	
5MHz - 42MHz	42MHz - 44MHz	60MHz - 200MHz	200MHz - 860MHz	5MHz - 44MHz	
1.5dB max	1.7dB max	55dB min	48dB min	12dB min	
High Pass Filter					
Passband Insertion Loss				Stopband Insertion Loss	Return Loss
54MHz	55MHz - 57MHz	58MHz - 70MHz	71MHz - 860MHz	5MHz - 44MHz	54MHz - 860MHz
2.0dB max	1.7dB max	1.4dB max	1.0dB max	48dB min	12dB min

SCHEMATIC



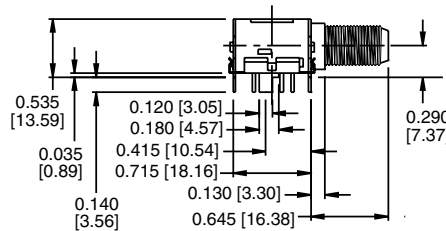
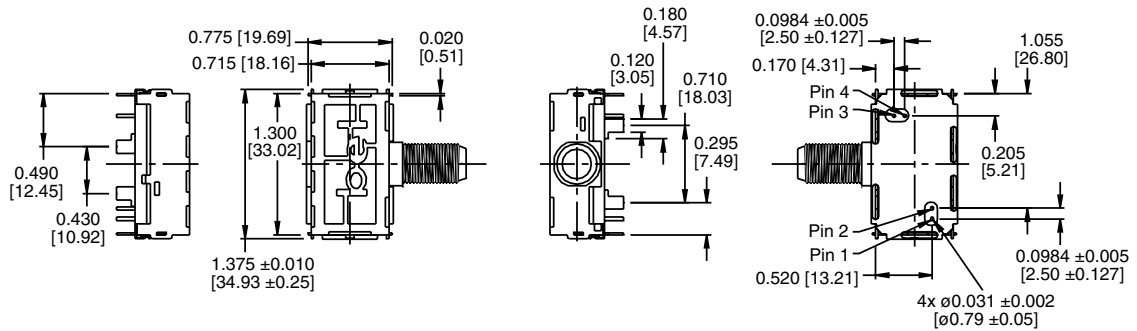


DIPLEXER FILTER MODULES DOCSIS 2.0

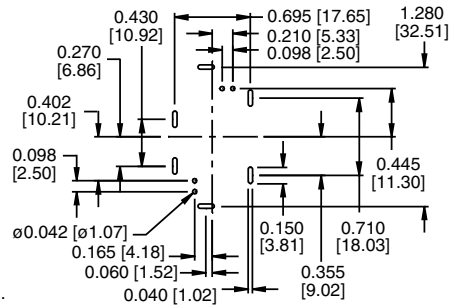
CM02402

MECHANICAL

0806-5400-01



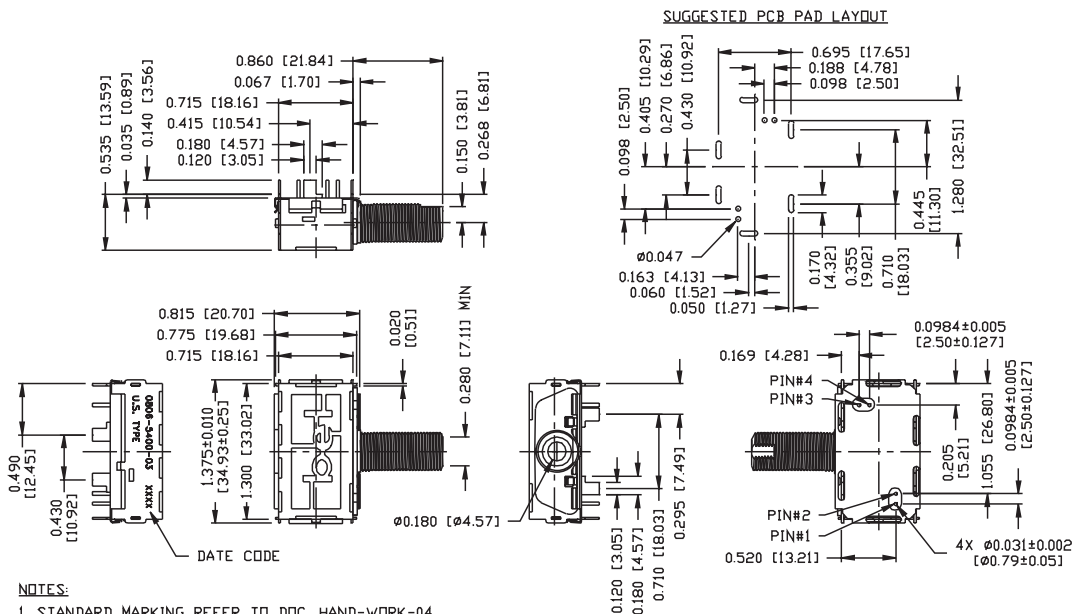
Suggested PCB Pad Layout



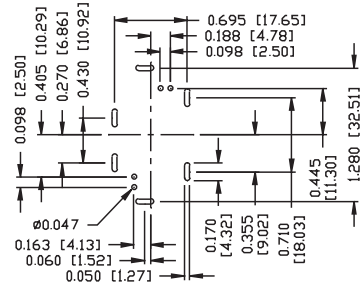
Dimensions are in inches [millimeters].

Standard dimension tolerance is ±0.020 [0.51] unless otherwise noted.

0806-5400-03



SUGGESTED PCB PAD LAYOUT



NOTES:

1. STANDARD MARKING REFER TO DOC. HAND-WORK-04.
2. PACKAGE CODE : "ZEAD001"
3. CONNECTOR HOLDING STRENGTH:
ABSOLUTE MAX. TORQUE STRENGTH TO BE 6.78 Nm.

©2005 Bel Fuse Inc. Specifications subject to change without notice. 06.05

CORPORATE

Bel Fuse Inc.
206 Van Vorst Street
Jersey City, NJ 07302
Tel 201-432-0463
Fax 201-432-9542
www.belfuse.com

FAR EAST

Bel Fuse Ltd.
8F / 8 Luk Hop Street
San Po Kong
Kowloon, Hong Kong
Tel 852-2328-5515
Fax 852-2352-3706
www.belfuse.com

EUROPE

Bel Fuse Europe Ltd.
Preston Technology Management Centre
Marsh Lane, Suite G7, Preston
Lancashire, PR1 8UD, U.K.
Tel 44-1772-556601
Fax 44-1772-888366
www.belfuse.com