



Through Hole Lamp Product Data Sheet LTL1BEKVJNN

Spec No.: DS20-2001-645

Effective Date: 10/25/2012

Revision: D

LITE-ON DCC

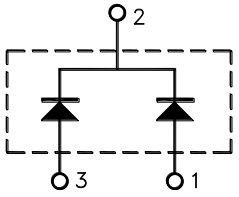
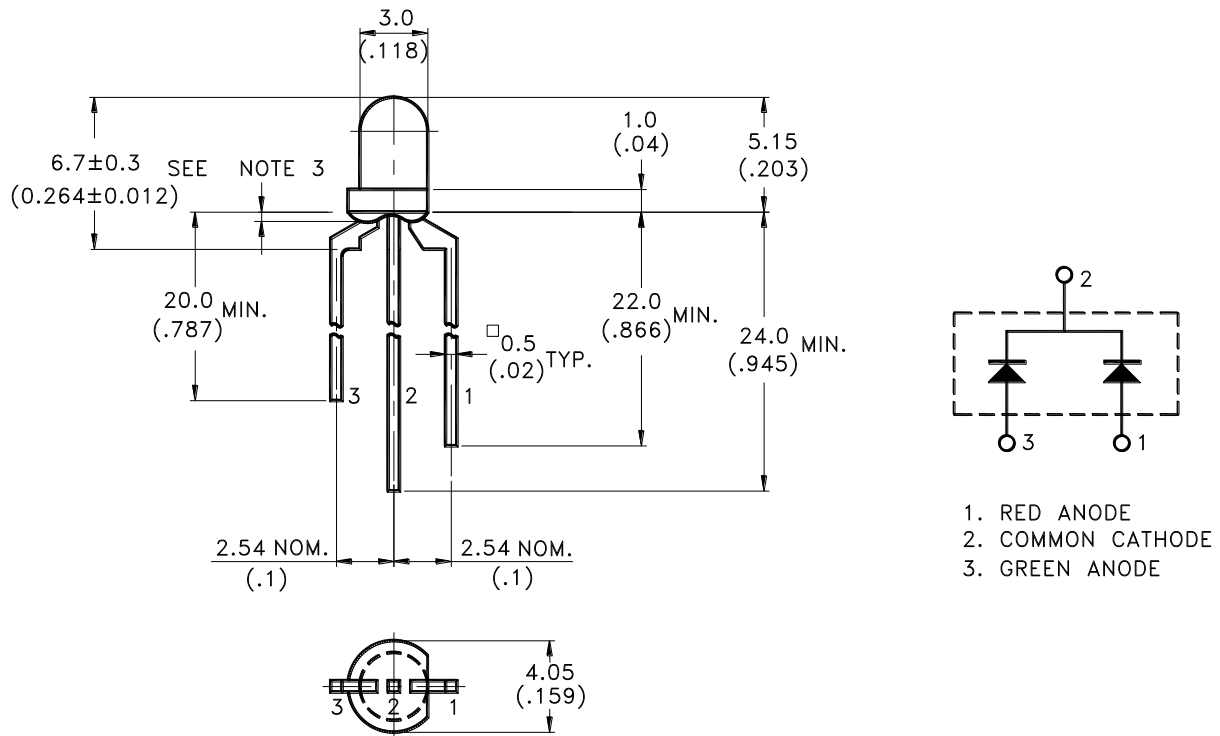
RELEASE

BNS-OD-FC001/A4

Features

- * Lead (Pb) free product – RoHS compliant.
- * Bright Red and Green chips are matched for uniform light output.
- * Long life-solid state reliability.
- * Low power consumption.
- * I.C. compatible.
- * 3.1mm diameter package.

Package Dimensions



- 1. RED ANODE
- 2. COMMON CATHODE
- 3. GREEN ANODE

Part No.	Lens	Source Color
LTL1BEKVJNN	White Diffused	AllnGaP Super Red / AllnGaP Green

Notes:

1. All dimensions are in millimeters (inches).
2. Tolerance is $\pm 0.25\text{mm}(.010\text{'})$ unless otherwise noted.
3. Protruded resin under flange is $1.0\text{mm}(.04\text{'})$ max.
4. Lead spacing is measured where the leads emerge from the package.
5. Specification are subject to change without notice.



LITE-ON TECHNOLOGY CORPORATION

Property of Lite-On Only

Absolute Maximum Ratings at $T_A=25^{\circ}\text{C}$

Parameter	Super Red	Green	Unit
Power Dissipation	75	75	mW
Peak Forward Current (1/10 Duty Cycle, 0.1ms Pulse Width)	90	60	mA
DC Forward Current	30	30	mA
Derating Linear From 50°C	0.4	0.4	mA/ $^{\circ}\text{C}$
Operating Temperature Range	-40 $^{\circ}\text{C}$ to + 100 $^{\circ}\text{C}$		
Storage Temperature Range	-55 $^{\circ}\text{C}$ to + 100 $^{\circ}\text{C}$		
Lead Soldering Temperature [2 mm (.08") From Body]	260 $^{\circ}\text{C}$ for 5 Seconds Max		



LITE-ON TECHNOLOGY CORPORATION

Property of Lite-On Only

Electrical / Optical Characteristics at $T_A=25^\circ\text{C}$

Parameter	Symbol	Color	Min.	Typ.	Max.	Unit	Test Condition
Luminous Intensity	I_V	Super Red Green	65 65	110 110		mcd	$I_F = 20\text{mA}$ $I_F = 20\text{mA}$ Note 1
Viewing Angle	$2\theta_{1/2}$	Super Red Green		45 45		deg	Note 2 (Fig.5)
Peak Emission Wavelength	λ_P	Super Red Green		639 575		nm	Measurement @Peak (Fig.1)
Dominant Wavelength	λ_d	Super Red Green		631 572		nm	Note 3
Spectral Line Half-Width	$\Delta\lambda$	Super Red Green		20 11		nm	
Forward Voltage	V_F	Super Red Green		2.0 2.1	2.4 2.4	V	$I_F = 20\text{mA}$ $I_F = 20\text{mA}$ Note5

- Note:
1. Luminous intensity is measured with a light sensor and filter combination that approximates the CIE (Commission International De L'Eclairage) eye-response curve.
 2. $\theta_{1/2}$ is the off-axis angle at which the luminous intensity is half the axial luminous intensity.
 3. The dominant wavelength, λ_d is derived from the CIE chromaticity diagram and represents the single wavelength which defines the color of the device.
 4. The I_V guarantee should be added $\pm 15\%$.
 5. Reverse Voltage (V_R) condition is applied for IR test only. The device is not designed for reverse operation.

Property of Lite-On Only

Typical Electrical / Optical Characteristics Curves

(25°C Ambient Temperature Unless Otherwise Noted)

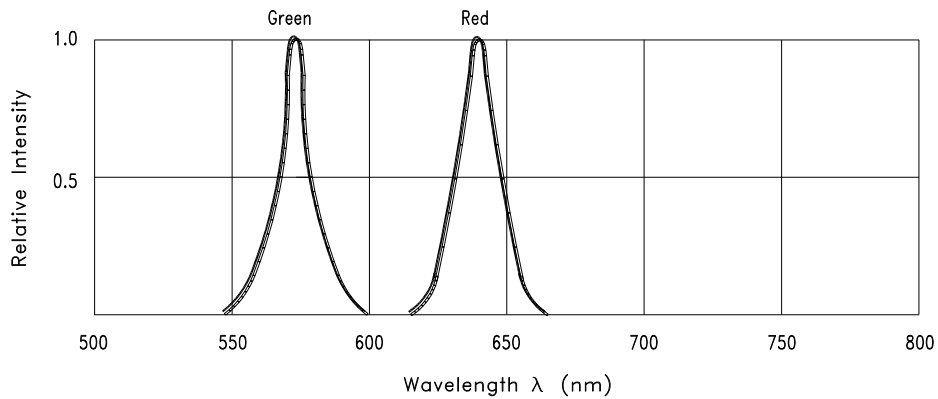


Fig.1 Relative Intensity vs. Wavelength

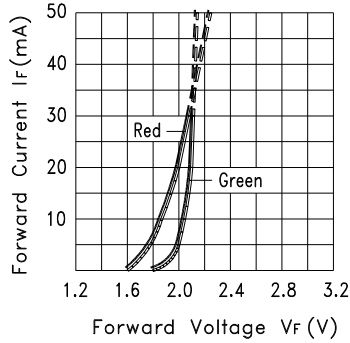


Fig.2 Forward Current vs. Forward Voltage

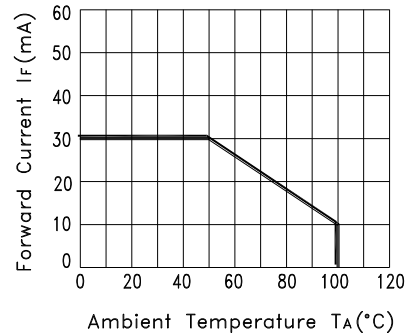


Fig.3 Forward Current Derating Curve

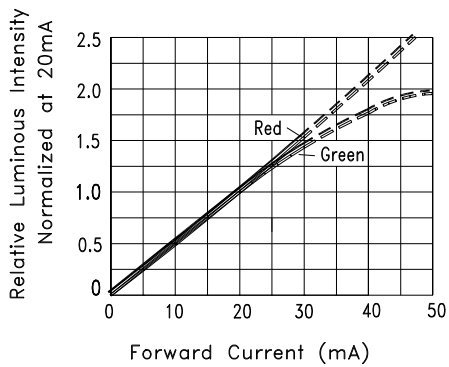


Fig.4 Relative Luminous Intensity vs. Forward Current

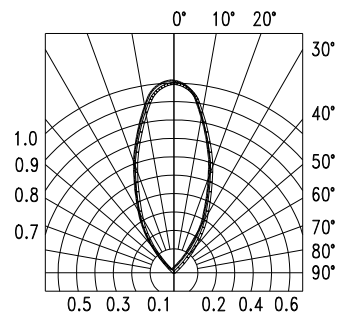
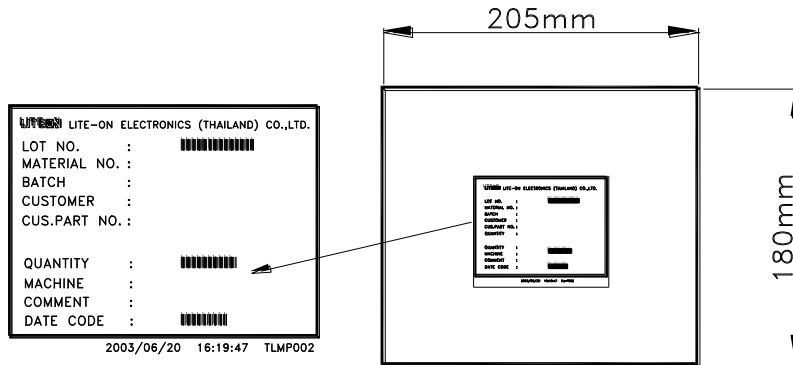


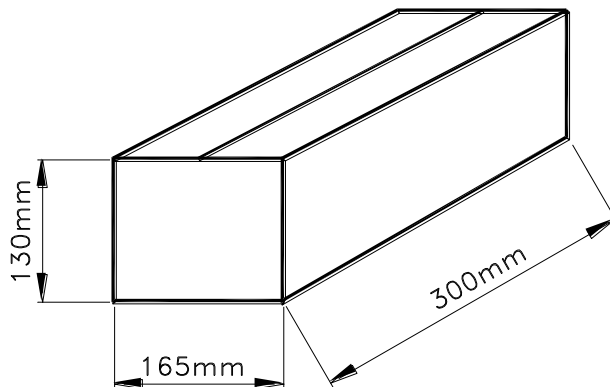
Fig.5 Spatial Distribution

Packing Spec

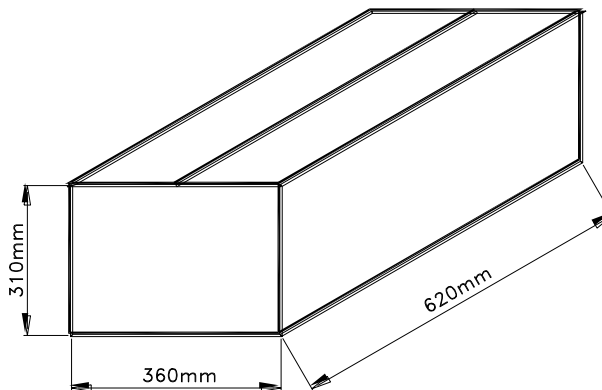
500 or 200,100 pcs per packing bag



**10 packing bags per inner carton
 total 5,000 pcs per inner carton**



**8 Inner cartons per outer carton
 total 40,000 pcs per outer carton
 In every shipping lot, only the last pack will be non-full packing**



Bin Table Specification

Luminous Intensity (Super Red)		Unit : mcd @ 20mA
IV	Min.	Max.
	65	140
	140	250

Note: Tolerance of each bin limit is $\pm 15\%$

Luminous Intensity (Green)		Unit : mcd @ 20mA
IV	Min.	Max.
	65	140
	140	250
	250	450

Note: Tolerance of each bin limit is $\pm 15\%$

Dominant Wavelength (Green)		Unit : nm @ 20mA
HUE	Min.	Max.
	565.0	569.0
	569.0	573.0
	573.0	578.0

Note: Tolerance of each bin limit is $\pm 1\text{nm}$

Bin Table Specification

Bin grade	Iv spec (I1)	Iv spec (I2)	Hue spec (L1)
	(Intensity : mCd.)	(Intensity : mCd.)	(wavelength :nm)
1	65 - 140	65 - 140	565-569
2	65 - 140	65 - 140	569-573
3	65 - 140	65 - 140	573-578
4	65 - 140	140 - 250	565-569
5	65 - 140	140 - 250	569-573
6	65 - 140	140 - 250	573-578
7	140 - 250	65 - 140	565-569
8	140 - 250	65 - 140	569-573
9	140 - 250	65 - 140	573-578
10	140 - 250	140 - 250	565-569
11	140 - 250	140 - 250	569-573
12	140 - 250	140 - 250	573-578
13	250 - 450	65 - 140	565-569
14	250 - 450	65 - 140	569-573
15	250 - 450	65 - 140	573-578
16	250 - 450	140 - 250	565-569
17	250 - 450	140 - 250	569-573
18	250 - 450	140 - 250	573-578

Note: Tolerance of each bin limit is ± 1 nm



LITE-ON TECHNOLOGY CORPORATION

Property of Lite-On Only

CAUTIONS

1. Application

The LEDs described here are intended to be used for ordinary electronic equipment (such as office equipment, communication equipment and household applications). Consult Liteon's Sales in advance for information on applications in which exceptional reliability is required, particularly when the failure or malfunction of the LEDs may directly jeopardize life or health (such as in aviation, transportation, traffic control equipment, medical and life support systems and safety devices).

2. Storage

The storage ambient for the LEDs should not exceed 30°C temperature or 70% relative humidity. It is recommended that LEDs out of their original packaging are used within three months. For extended storage out of their original packaging, it is recommended that the LEDs be stored in a sealed container with appropriate desiccant or in desiccators with nitrogen ambient.

3. Cleaning

Use alcohol-based cleaning solvents such as isopropyl alcohol to clean the LEDs if necessary.

4. Lead Forming & Assembly

During lead forming, the leads should be bent at a point at least 3mm from the base of LED lens.

Do not use the base of the lead frame as a fulcrum during forming.

Lead forming must be done before soldering, at normal temperature.

During assembly on PCB, use minimum clinch force possible to avoid excessive mechanical stress.

5. Soldering

When soldering, leave a minimum of 2mm clearance from the base of the lens to the soldering point.

Dipping the lens into the solder must be avoided.

Do not apply any external stress to the lead frame during soldering while the LED is at high temperature.

Recommended soldering conditions :

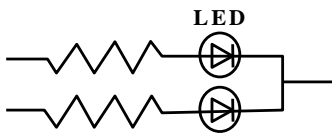
Soldering iron		Wave soldering	
Temperature	350°C Max.	Pre-heat	100°C Max.
Soldering time	3 sec. Max. (one time only)	Pre-heat time	60 sec. Max.
		Solder wave	260°C Max.
		Soldering time	5 sec. Max.

Note: Excessive soldering temperature and/or time might result in deformation of the LED lens or catastrophic failure of the LED. IR reflow is not suitable process for through hole type LED lamp product.

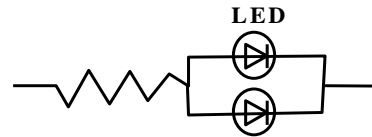
6. Drive Method

An LED is a current-operated device. In order to ensure intensity uniformity on multiple LEDs connected in parallel in an application, it is recommended that a current limiting resistor be incorporated in the drive circuit, in series with each LED as shown in Circuit A below.

Circuit model A



Circuit model B



(A) Recommended circuit

(B) The brightness of each LED might appear different due to the differences in the I-V characteristics of those LEDs

7. ESD (Electrostatic Discharge)

Static Electricity or power surge will damage the LED.

Suggestions to prevent ESD damage:

- Use a conductive wrist band or anti- electrostatic glove when handling these LEDs
- All devices, equipment, and machinery must be properly grounded
- Work tables, storage racks, etc. should be properly grounded
- Use ion blower to neutralize the static charge which might have built up on surface of the LEDs plastic lens as a result of friction between LEDs during storage and handing

Suggested checking list :**Training and Certification**

1. Everyone working in a static-safe area is ESD-certified?
2. Training records kept and re-certification dates monitored?

Static-Safe Workstation & Work Areas

1. Static-safe workstation or work-areas have ESD signs?
2. All surfaces and objects at all static-safe workstation and within 1 ft measure less than 100V?
3. All ionizer activated, positioned towards the units?
4. Each work surface mats grounding is good?

Personnel Grounding

1. Every person (including visitors) handling ESD sensitive (ESDS) items wear wrist strap, heel strap or conductive shoes with conductive flooring?
2. If conductive footwear used, conductive flooring also present where operator stand or walk?
3. Garments, hairs or anything closer than 1 ft to ESD items measure less than 100V*?
4. Every wrist strap or heel strap/conductive shoes checked daily and result recorded for all DSL?
5. All wrist strap or heel strap checkers calibration up to date?

Note: *50V for Blue LED.

Device Handling

1. Every ESDS items identified by EIA-471 labels on item or packaging?
2. All ESDS items completely inside properly closed static-shielding containers when not at static-safe workstation?
3. No static charge generators (e.g. plastics) inside shielding containers with ESDS items?
4. All flexible conductive and dissipative package materials inspected before reuse or recycle?

Others

1. Audit result reported to entity ESD control coordinator?
2. Corrective action from previous audits completed?
3. Are audit records complete and on file?

8. Reliability Test

Classification	Test Item	Test Condition	Reference Standard
Endurance Test	Operation Life	Ta= Under Room Temperature As Per Data Sheet Maximum Rating *Test Time= 1000HRS (-24HRS,+72HRS)	MIL-STD-750D:1026 (1995) MIL-STD-883D:1005 (1991) JIS C 7021:B-1 (1982)
	High Temperature High Humidity Storage	Ta= 65±5°C RH= 90 ~ 95% Test Time= 240HRS±2HRS	MIL-STD-202F: 103B(1980) JIS C 7021 : B-11(1982)
	High Temperature Storage	Ta= 105±5°C *Test Time= 1000HRS (-24HRS,+72HRS)	MIL-STD-883D:1008 (1991) JIS C 7021:B-10 (1982)
	Low Temperature Storage	Ta= -55±5°C *Test Time=1000HRS (-24HRS,+72HRS)	JIS C 7021:B-12 (1982)
Environmental Test	Temperature Cycling	105°C ~ 25°C ~ -55°C ~ 25°C 30mins 5mins 30mins 5mins 10 Cycles	MIL-STD-202F:107D (1980) MIL-STD-750D:1051(1995) MIL-STD-883D:1010 (1991) JIS C 7021: A-4(1982)
	Thermal Shock	105 ± 5°C ~ -55°C ± 5°C 10mins 10mins 10 Cycles	MIL-STD-202F:107D(1980) MIL-STD-750D:1051(1995) MIL-STD-883D:1011 (1991)
	Solder Resistance	T.sol = 260 °C Max Dwell Time= 5 secs Max	MIL-STD-202F:210A(1980) MIL-STD-750D:2031(1995) JIS C 7021: A-1(1982)
	Solderability	T. sol = 230 ± 5°C Dwell Time= 5 ± 1secs	MIL-STD-202F:208D(1980) MIL-STD-750D:2026(1995) MIL-STD-883D:2003(1991) JIS C 7021: A-2(1982)

9. Others

The appearance and specifications of the product may be modified for improvement, without prior notice.