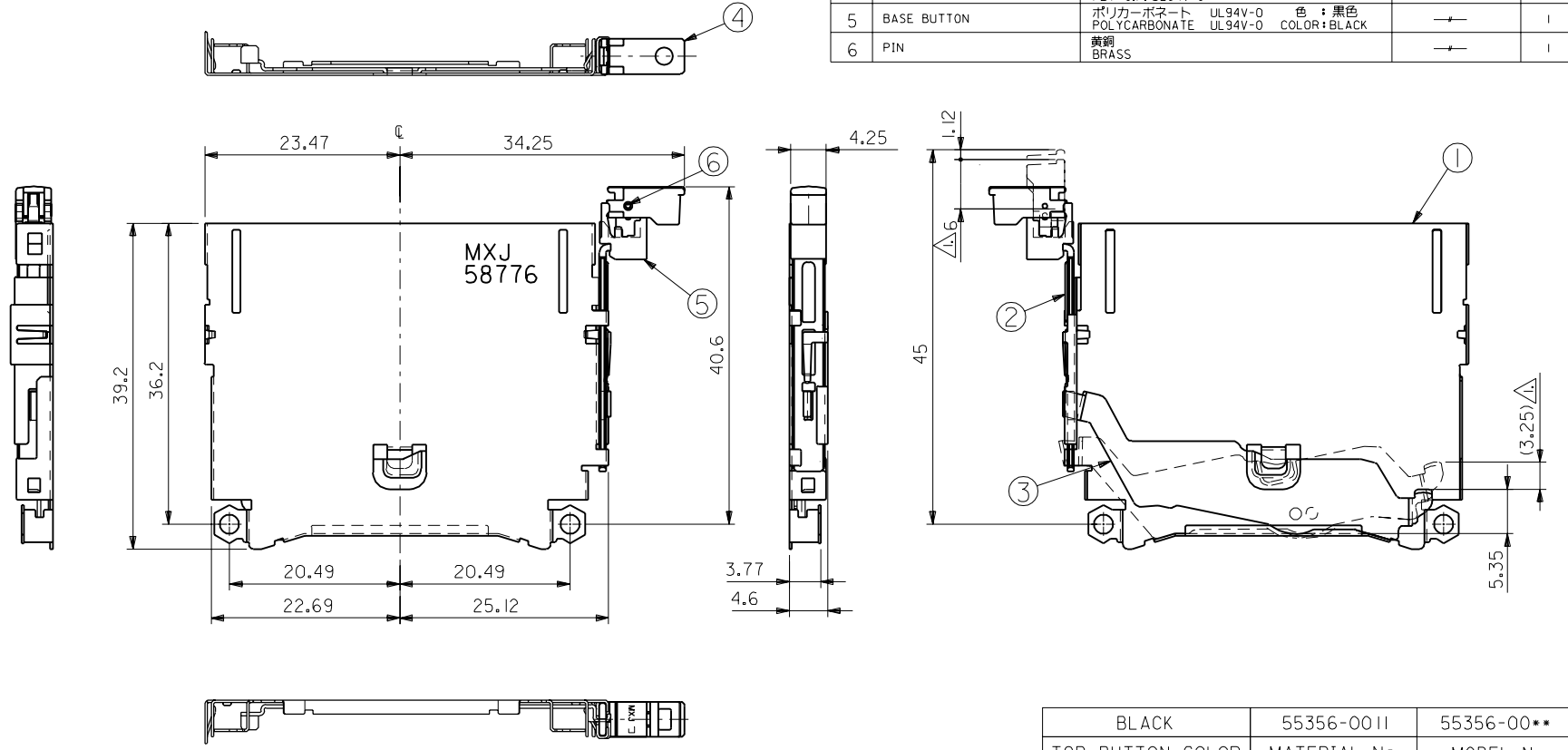


DWG. NO. SD-55356-002

| No. | 品名<br>NAME  | 材料<br>MATERIAL   | 仕上げ<br>FINISH | 個数<br>PIECE |
|-----|-------------|--|---------------|-------------|
| 1   | METAL SHELL | ステンレス鋼 t0.3<br>STAINLESS STEEL t0.3                          | —             | 1           |
| 2   | ROD         | ステンレス鋼 t0.8<br>STAINLESS STEEL t0.8                          | —             | 1           |
| 3   | LEVER       | ステンレス鋼 t0.4<br>STAINLESS STEEL t0.4                          | —             | 1           |
| 4   | TOP BUTTON  | ガラス入りポリエステル UL94V-0<br>PBT G.F. UL94V-0                      | —             | 1           |
| 5   | BASE BUTTON | ポリカーボネート UL94V-0 色 : 黒色<br>POLYCARBONATE UL94V-0 COLOR:BLACK | —             | 1           |
| 6   | PIN         | 黄銅<br>BRASS  | —             | 1           |



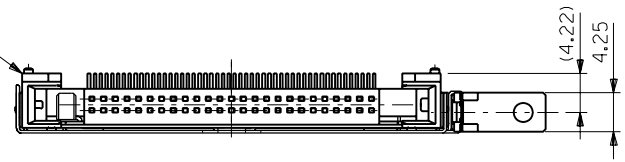
DO NOT SCALE DRAWING

|                                  |                                  |                                  |  |   |             |                      |   |              |  |  |  |                       |
|----------------------------------|----------------------------------|----------------------------------|--|---|-------------|----------------------|---|--------------|--|--|--|-----------------------|
| EC NO.<br>DRWN:<br>CHK:<br>APPR: | EC NO.<br>DRWN:<br>CHK:<br>APPR: | EC NO.<br>DRWN:<br>CHK:<br>APPR: | REVISED<br>EC No. JD90581<br>DRWN: TANAKA '98/10/20<br>CHK: MSASAO '98/10/20<br>APPR: HIKESUGI '98/10/20 | RELEASED<br>EC No. JD90218<br>DRWN: TANAKA '98/08/18<br>CHK: MSASAO '98/08/18<br>APPR: HIKESUGI '98/08/18 | DESCRIPTION | MATERIAL<br>材料       | GENERAL TOLERANCES:<br>(UNLESS SPECIFIED)<br>一般公差 | SCALE<br>2-1 | DESIGN UNITS<br><input checked="" type="checkbox"/> mm <input type="checkbox"/> INCH | THIRD ANGLE<br>PROJECTION  | DIMENSIONS:<br><input type="checkbox"/> mm <input type="checkbox"/> INCH <input checked="" type="checkbox"/> mm ONLY | SHT<br>REV            |
|                                  |                                  |                                  |  |   | SEE CHART   | FINISH<br>仕上付        | 10 UNDER<br>未満                                    | +0.2         | DRAWN BY & DATE<br><i>M. Tanaka</i> '98/08/18  | TITLE:<br>CF CARD CONN. EJECT MECHANISM<br>METAL SHELL ASS'Y<br>(FOR LEFT SIDE BUTTON) |  | REVISE ON<br>CAD ONLY |
|                                  |                                  |                                  |  |   |             | WIRE RANGE<br>適用線径範囲 | 10 OVER<br>以上                                     | +0.25        | CHECKED BY & DATE<br><i>H. Saito</i> '98/08/18                                       |  |  |                       |
|                                  |                                  |                                  |  |   |             | INS. RANGE<br>被覆外径   | 30 UNDER<br>未満                                    | +0.3         | APPROVED BY & DATE<br><i>H. Saito</i> '98/08/18                                      |  | MATERIAL NO.<br>DRAWING NO.  | SHEET NO.<br>SIZE     |
|                                  |                                  |                                  |  |   |             |                      | ANGLE 角度  | +3°          | CAD FILENAME<br>55356002.S01   | SEE CHART  | SD-55356-002   | 1 OF 2<br>B           |

|  |              |            |
|--|--------------|------------|
| BLACK  | 55356-0011   | 55356-00** |
| TOP BUTTON COLOR   | MATERIAL No. | MODEL No.  |
| THIS DRAWING CONTAINS INFORMATION THAT IS PROPRIETARY TO MOLEX INCORPORATED AND SHOULD NOT BE USED WITHOUT WRITTEN PERMISSION. |              |            |

DWG. NO. SD-55356-002

△ HDR ASS'Y  
55341-5010  
(55340-5010)

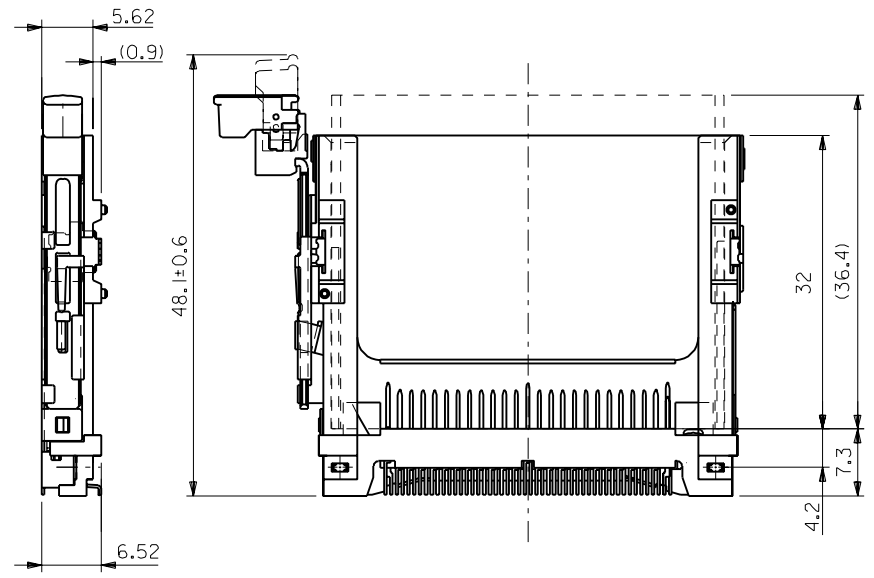
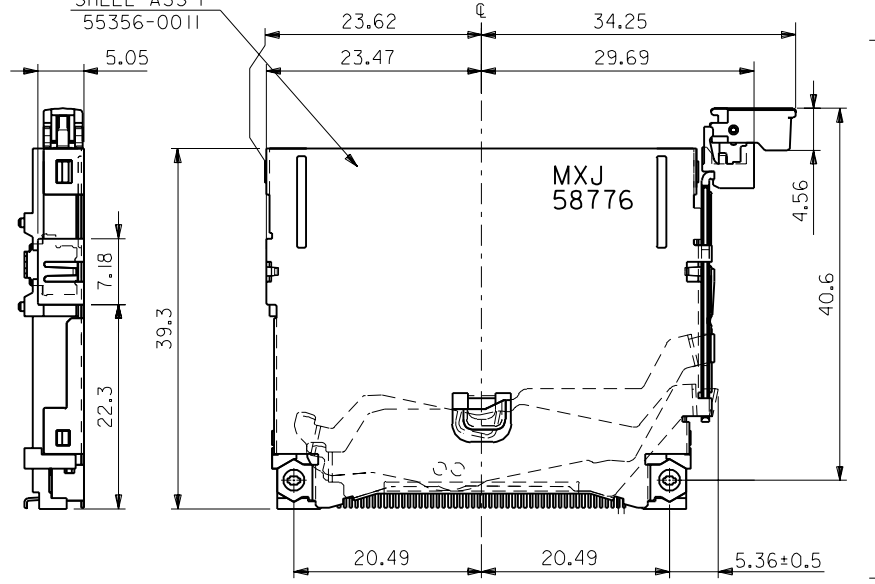


REFERENCE USE ONLY

注)  
NOTES

- △1 ボタンストロークが 6mm の時、カード飛び出し量は (3.25mm)。  
WHEN BUTTON PUSH STROKE IS 6mm, CARD OUT BY (3.25mm).
- 2. 適合 HEADER ASS'Y : 55340-5010(REVERSE), 55341-5010(NORMAL)  
APPLICABLE HEADER ASS'Y : 55340-5010(REVERSE), 55341-5010(NORMAL)
- △3 SD-55341-003 (SD-55340-003) 参照  
SEE SD-55341-003 (SD-55340-003)

SHELL ASS'Y  
55356-0011



DO NOT SCALE DRAWING

|                                  |                                  |                                  |                                  |                                     |                    |                      |   |   |   |  |  |                                  |                             |                |
|----------------------------------|----------------------------------|----------------------------------|----------------------------------|-------------------------------------|--------------------|----------------------|---|---|---|--|--|----------------------------------|-----------------------------|----------------|
| EC NO.<br>DRWN:<br>CHK:<br>APPR: | EC NO.<br>DRWN:<br>CHK:<br>APPR: | EC NO.<br>DRWN:<br>CHK:<br>APPR: | EC NO.<br>DRWN:<br>CHK:<br>APPR: | SHEET 1 OF 2 参照<br>SEE SHEET 1 OF 2 | DESCRIPTION        | MATERIAL<br>材料       | GENERAL TOLERANCES:<br>(UNLESS SPECIFIED)<br>一般公差 | SCALE<br>2 - 1                                  | DESIGN UNITS<br><input checked="" type="checkbox"/> mm <input type="checkbox"/> INCH  | DIMENSIONS:<br><input type="checkbox"/> mm <input type="checkbox"/> INCH <input checked="" type="checkbox"/> mm ONLY | SHT<br>REVISE ON<br>CAD ONLY   |                                  |                             |                |
| EC NO.<br>DRWN:<br>CHK:<br>APPR: | EC NO.<br>DRWN:<br>CHK:<br>APPR: | EC NO.<br>DRWN:<br>CHK:<br>APPR: | EC NO.<br>DRWN:<br>CHK:<br>APPR: | REV                                 | FINISH<br>仕上り      | WIRE RANGE<br>適用線径範囲 | 10 UNDER<br>未満                                    | +0.2  | DRAWN BY & DATE<br><i>M. Yanaka</i> '98/08/18   | THIRD ANGLE<br>PROJECTION  | TITLE:<br>CF CARD CONN. EJECT MECHANISM<br>METAL SHELL ASS'Y<br>(FOR LEFT SIDE BUTTON) |                                  |                             |                |
| EC NO.<br>DRWN:<br>CHK:<br>APPR: | EC NO.<br>DRWN:<br>CHK:<br>APPR: | EC NO.<br>DRWN:<br>CHK:<br>APPR: | EC NO.<br>DRWN:<br>CHK:<br>APPR: | REV                                 | INS. RANGE<br>被覆外径 | 10 OVER<br>以上        | +0.25   | CHECKED BY & DATE<br><i>H. Saito</i> '98/08/18  | MOLEX INCORPORATED  |  |  | MATERIAL NO.<br>SEE SHEET 1 OF 2 | DRAWING NO.<br>SD-55356-002 | SHEET NO.<br>2 |
| EC NO.<br>DRWN:<br>CHK:<br>APPR: | EC NO.<br>DRWN:<br>CHK:<br>APPR: | EC NO.<br>DRWN:<br>CHK:<br>APPR: | EC NO.<br>DRWN:<br>CHK:<br>APPR: | REV                                 | ANGLE 角度           | 30 OVER<br>以上        | +0.3  | APPROVED BY & DATE<br><i>H. Saito</i> '98/08/18 |   |  |  |                                  |                             |                |
| EC NO.<br>DRWN:<br>CHK:<br>APPR: | EC NO.<br>DRWN:<br>CHK:<br>APPR: | EC NO.<br>DRWN:<br>CHK:<br>APPR: | EC NO.<br>DRWN:<br>CHK:<br>APPR: | REV                                 |                    |                      | +3°   | CAD FILENAME<br>55356002.S02                    | THIS DRAWING CONTAINS INFORMATION THAT IS PROPRIETARY TO MOLEX<br>INCORPORATED AND SHOULD NOT BE USED WITHOUT WRITTEN PERMISSION. |  |  |                                  |                             |                |