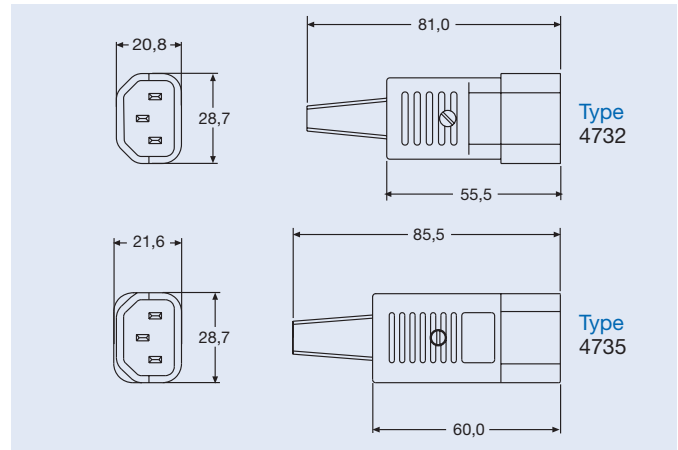
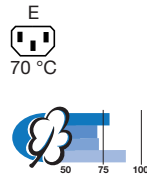


Rewireable Plug for cable straight entry
Types 4732¹⁾, 4735

Pin temperature 70 °C
Protection class I

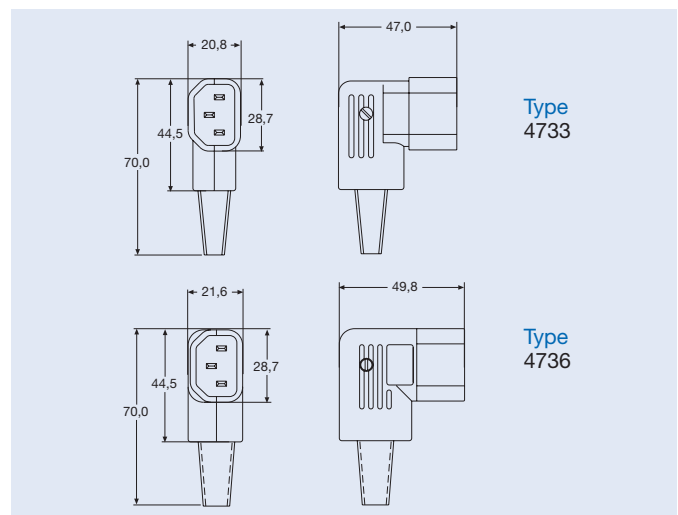
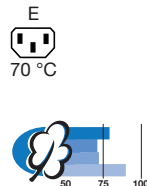


Order no	Type	Colour	Max. cable diameter	Max. wire size
4732.0000 ¹⁾	4732	black	8,5 mm	3 x 1 mm ² / 3 x 18 AWG
4735.0000	4735	black	10,0 mm	3 x 2 mm ² / 3 x 14 AWG

¹⁾ substitute for type 8143, order No. 4300.0407 from SCHURTER AG
Cord retaining clamp see page 171

Rewireable Plug for cable 90 ° entry
Types 4733²⁾, 4736

Pin temperature 70 °C
Protection class I



Order no	Type	Colour	Max. cable diameter	Max. wire size
4733.0000 ²⁾	4733	black	8,5 mm	3 x 1 mm ² / 3 x 18 AWG
4736.0000	4736	black	10,0 mm	3 x 2 mm ² / 3 x 14 AWG

²⁾ substitute for type 8143.A, order No. 4300.0411 from SCHURTER AG

Details Types 4732, 4733, 4735, 4736

Technical data

- Rated current/voltage: 10 A/250 VAC
- Insulation resistance: > 10 MΩ (500 VDC, 1 Min.)
- Dielectric strength: 2 kV (50 Hz, 1 Min.), to accessible surfaces
- Materials:
 - Body and cable guard: Thermoplastic UL 94V-0
- Max. torques:
 - Terminal screws 0,50 Nm
 - Cable clamp screws 0,30 Nm
 - Cover screws 0,30 Nm

Features

- Pillar terminals for reliable, safe and speedy wiring
- Captive contact pins and cover screw
- Ultrasonic welded contact pins shroud for added safety
- Reversible clamp to suit varying cable sizes

Approvals

- ⚡ / VDE (10 A / 250 VAC)
- UL / CSA (10 A / 250 VAC)
- UL / CSA (15 A / 250 VAC)

Type

- 4732, 4733, 4735, 4736
- 4732, 4733
- 4735, 4736

Standards

IEC/EN 60320-2-2/E