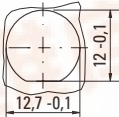


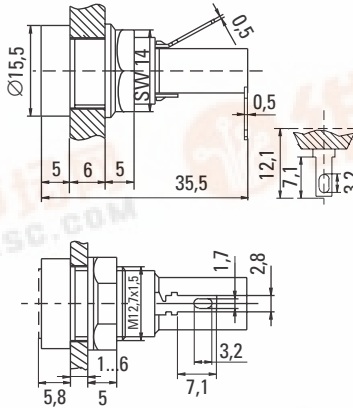
Holder / No. 601

Not for new designs - refer to No. 850 and 851



Panel opening

Panel Mount, Shocksafe 5x20mm Fuses



Specifications

Standard

IEC 60127-6
UL 512
CSA C22.2. No.39

Approvals

SEMKO: Certificate No. 9946019
UL Recognized: File No. E 70164
CSA Certified: File No. 47574
VDE Licence No. 132224



Mounting

12.7mm diameter D-hole
Admissible torque on plastic hex nut is 1.2Nm

Terminals

Solderable or 2.8mm quick connect-fits 0.5mm tab

Protection Class & Category

IP 40 (with Cap 602 00 acc. to IEC 60529)
IP 54 (with Cap 602 04 acc. to IEC 60529)
PC2 (IEC 60127-6)

Materials

Holder: Black Duroplast
Phenoplast PF, UL94 V-0
Cap: Black Thermoplastic
Polyamide PA6.6, UL94 V-0
Sealing Washer: Novapress Multi (Cap 602 04)
Metal Parts: Copper alloy,
corrosion protected
Terminals: Solderable, tinned
Insulating cover: Polyvinyl chloride (Soft PVC),
black

Electrical Data (23°C)

Rated Voltage: 250V
Rated Current: 6.3A (SEMKO/VDE)
16A (UL/GSA)
Rated Power : 4W (SEMKO/VDE)

Operating Temperature

-25°C to +70°C (consider de-rating)

Climatic Test

-25°C/+70°C/21 days (IEC 60068-2-1...3)

Stock Conditions

+10°C to +60°C
relative humidity ≤ 75% yearly average,
without dew, maximum value for 30 days - 95%

Vibration Resistance

24 cycles at 15 min. each (IEC 60068-2-6)
10 - 60Hz at 0.75mm amplitude
60 - 2000Hz at 10g acceleration

Dielectric Strength

> 1.5 kV

Impulse Voltage

4 kV, 50 Hz, 1 min., dry

Insulation Resistance

> 10³ MΩ (500 VDC, 1 min.)

Solderability

235°C, 3 sec. (Wave)
350°C, 1 sec. (Soldering Iron)

Soldering Heat Resistance

260°C, 5 sec. (IEC 60068-2-20)

Minimum Cross Section

Conductor - 2.5mm²

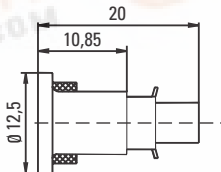
Marking

601, 250V, Approvals

Unit Weight

4.0g (Holder) / 1.9g (Cap) / 2.9g (Insulating sleeve)

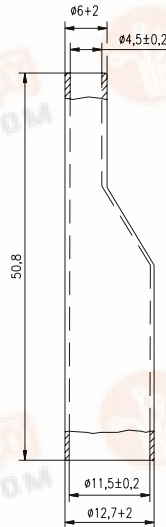
Cap / No. 602



Design 00: without silicon washer (IP 40)

Design 04: with silicon washer (IP 54)
(from front side only)

Insulating cover for terminals/ No. 522



Order Information

Packaging

Bulk (100 pcs.)

Order Numbers

| | |
|----------------------------|------------------|
| Holder | No. 601 0000 000 |
| Cap, without washer, IP 40 | No. 602 0000 000 |
| Cap, with washer, IP 64 | No. 602 0000 040 |

Specifications are subject to change without notice

Note: 1.00 means the number one with two decimal places. 1,000 means the number one thousand.

