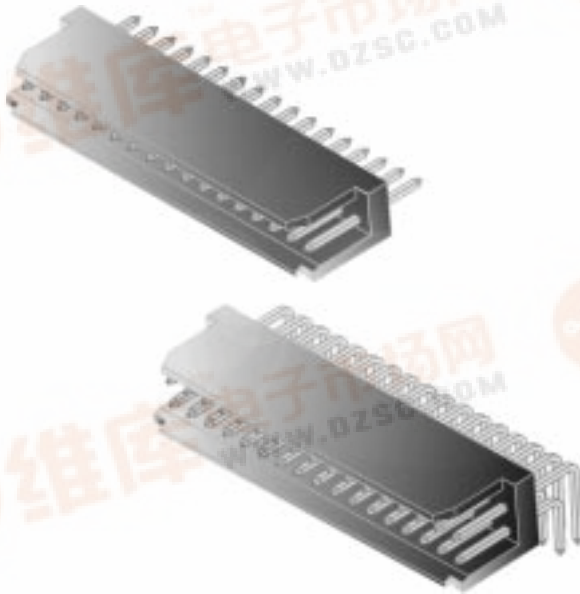


Dubox™ Shrouded Headers 2.54 mm



- For use with Dubox™ crimp-to-wire housings
- Stackable end-to-end
- Passive latching, anti-reverse and anti-miss-match when used with Dubox™ crimp-to-wire housings
- Selective plating

**24 HOUR
SAMPLES**

Technical Data

Physical

Housing: Glass filled thermoplastic polyester, blue
 Flammability rating: UL 94 V-0
 Contact: Phosphor-bronze
 Plating: Gold or tin-lead over 1.27 µm nickel

Electrical Performance

Current rating: 3 A continuous
 Insulation resistance: 1×10^5 MΩ min.
 Dielectric withstanding voltage: 1000 V rms

Mechanical Performance

Contact retention to housing:
 20 N min.

Operating Temperature Range

-40°C to +125°C

Packaging

Tube

Reference Information

File no. E66906
 File no. LR46923
 Product drawing: By 5-digit base part number
 Application specification: TA-531
 Specifications subject to change without notice.

Mating Data

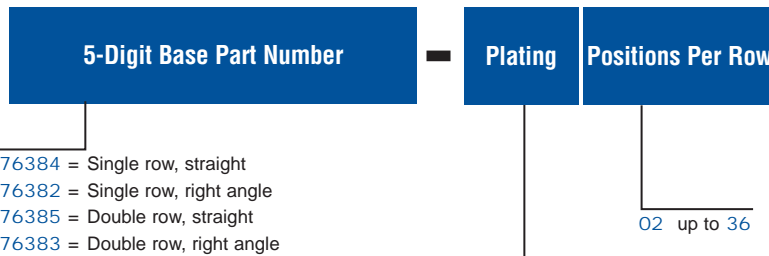
- | | Page |
|---------------------------------|------|
| ■ Dubox™ Crimp-to-wire contacts | 18 |
| ■ Dubox™ Crimp-to-wire housings | 20 |

Processing Information

Compatible with wave soldering processes



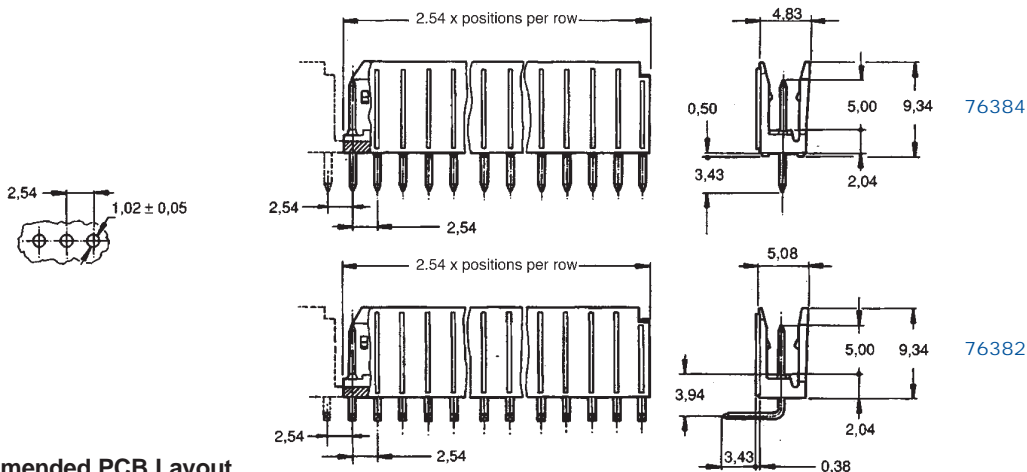
Part Number



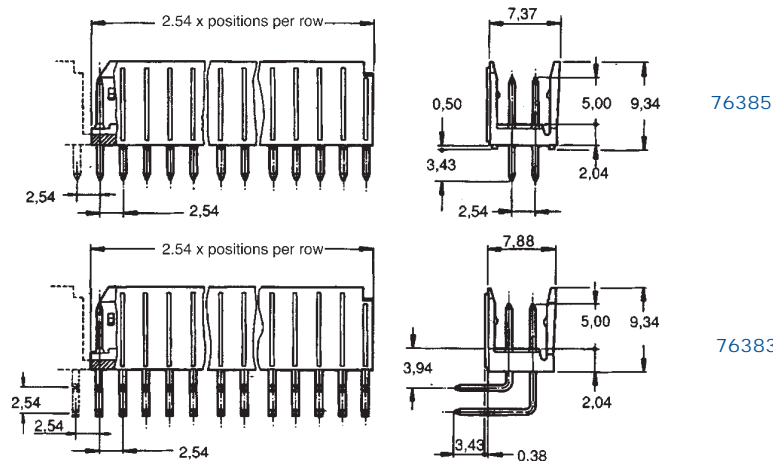
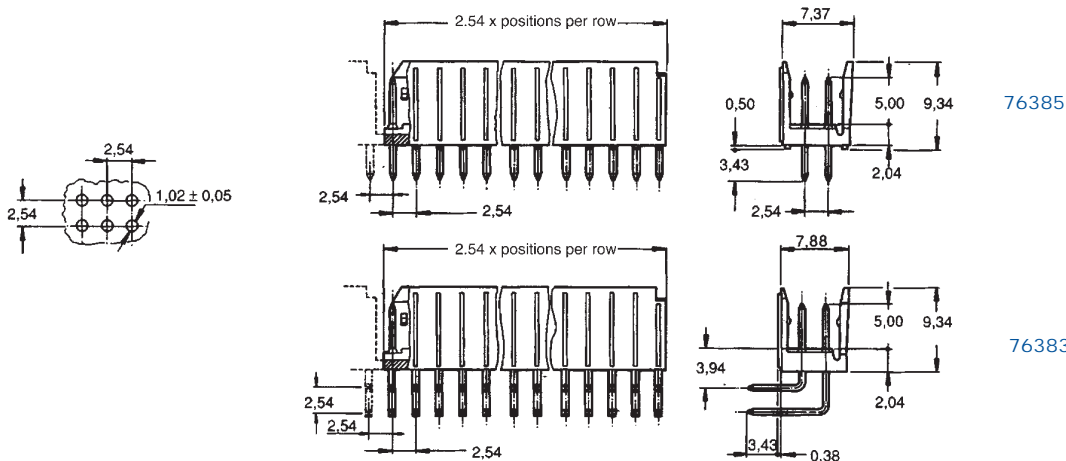
3 = 0.76 μm gold on mating area, tin-lead on solder side
 4 = 3.81 μm tin-lead

Part Number	
76384	3 Pos. per row
76385	3 Pos. per row

CORE RANGE



Recommended PCB Layout
PCB thickness 1,58 mm



Dimensions in mm