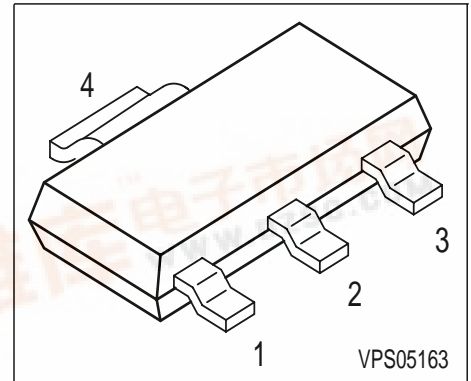




**BSP50 ... BSP52**

**NPN Silicon Darlington Transistors**

- High collector current
- Low collector-emitter saturation voltage
- Complementary types: BSP60 ... BSP62 (PNP)



Type	Marking	Pin Configuration				Package
BSP50	BSP 50	1 = B	2 = C	3 = E	4 = C	SOT223
BSP51	BSP 51	1 = B	2 = C	3 = E	4 = C	SOT223
BSP52	BSP 52	1 = B	2 = C	3 = E	4 = C	SOT223

**Maximum Ratings**

Parameter	Symbol	BSP50	BSP51	BSP52	Unit
Collector-emitter voltage	$V_{CEO}$	45	60	80	V
Collector-base voltage	$V_{CBO}$	60	80	90	
Emitter-base voltage	$V_{EBO}$	5	5	5	
DC collector current	$I_C$	1			A
Peak collector current	$I_{CM}$	2			
Base current	$I_B$	100			mA
Total power dissipation, $T_S = 124\text{ °C}$	$P_{tot}$	1.5			W
Junction temperature	$T_j$	150			°C
Storage temperature	$T_{stg}$	-65 ... 150			

**Thermal Resistance**

Junction - soldering point <sup>1)</sup>	$R_{thJS}$	≤17	K/W
--	------------	-----	-----

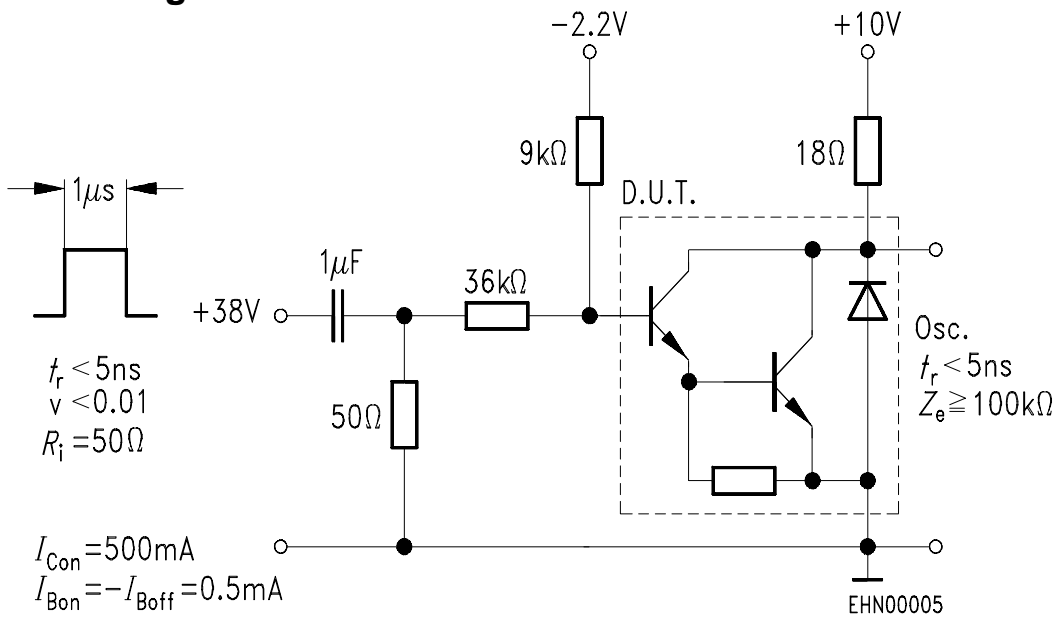
<sup>1)</sup>For calculation of  $R_{thJA}$  please refer to Application Note Thermal Resistance

**Electrical Characteristics** at  $T_A = 25^\circ\text{C}$ , unless otherwise specified

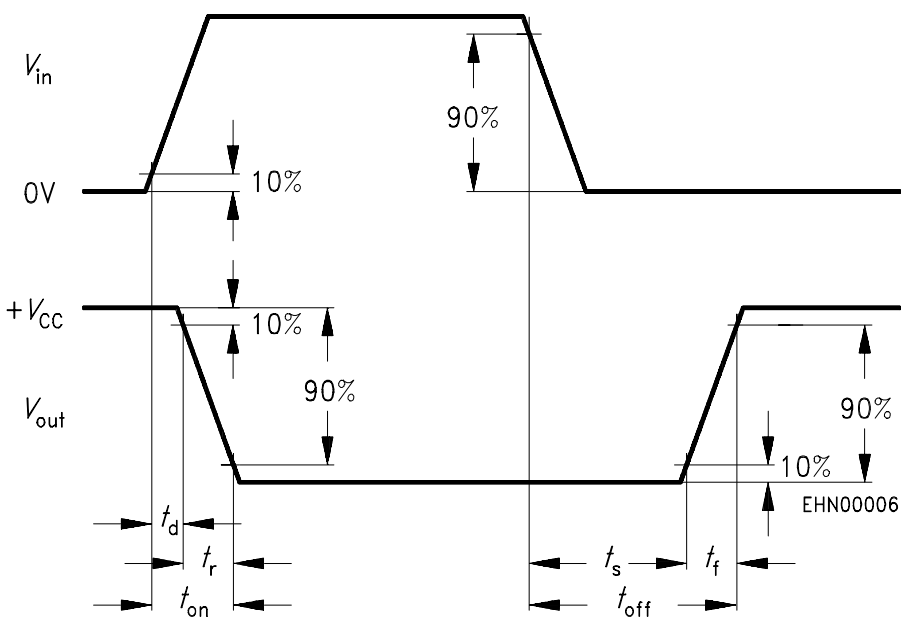
Parameter	Symbol	Values			Unit	
		min.	typ.	max.		
<b>DC Characteristics</b>						
Collector-emitter breakdown voltage $I_C = 10\text{ mA}, I_B = 0$	$V_{(BR)CEO}$	BSP50	45	-	-	V
		BSP51	60	-	-	
		BSP52	80	-	-	
Collector-base breakdown voltage $I_C = 100\ \mu\text{A}, I_E = 0$	$V_{(BR)CBO}$	BSP50	60	-	-	
		BSP51	80	-	-	
		BSP52	90	-	-	
Emitter-base breakdown voltage $I_E = 100\ \mu\text{A}, I_C = 0$	$V_{(BR)EBO}$		5	-	-	
Collector-emitter cutoff current $V_{CE} = V_{CE0max}, V_{BE} = 0$	$I_{CES}$		-	-	10	$\mu\text{A}$
Emitter cutoff current $V_{EB} = 4\text{ V}, I_C = 0$	$I_{EBO}$		-	-	10	
DC current gain 1) $I_C = 150\text{ mA}, V_{CE} = 10\text{ V}$ $I_C = 500\text{ mA}, V_{CE} = 10\text{ V}$	$h_{FE}$		1000	-	-	-
			2000	-	-	
Collector-emitter saturation voltage1) $I_C = 500\text{ mA}, I_B = 0.5\text{ mA}$ $I_C = 1\text{ A}, I_B = 1\text{ mA}$	$V_{CEsat}$		-	-	1.3	V
			-	-	1.8	
Base-emitter saturation voltage 1) $I_C = 500\text{ mA}, I_B = 0.5\text{ mA}$ $I_C = 1\text{ A}, I_B = 1\text{ mA}$	$V_{BEsat}$		-	-	1.9	
			-	-	2.2	
<b>AC Characteristics</b>						
Transition frequency $I_C = 100\text{ mA}, V_{CE} = 5\text{ V}, f = 100\text{ MHz}$	$f_T$		-	200	-	MHz
Turn-on time $I_C = 500\text{ mA}, I_{B1} = I_{B2} = 0.5\text{ mA}$	$t_{(on)}$		-	400	-	ns
Turn-off time $I_C = 500\text{ mA}, I_{B1} = I_{B2} = 0.5\text{ mA}$	$t_{(off)}$		-	1500	-	

 1) Pulse test:  $t \leq 300\ \mu\text{s}$ ,  $D = 2\%$

### Switching time test circuit

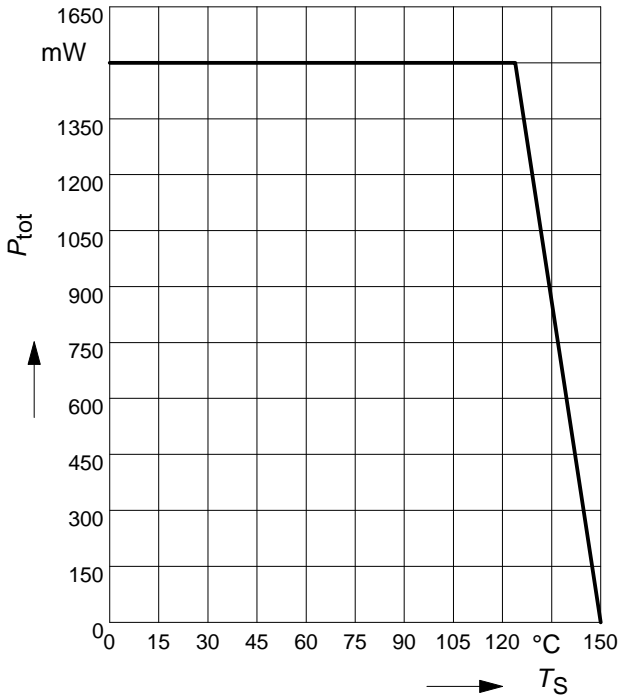


### Switching time waveform



1) Pulse test:  $t \leq 300\mu\text{s}$ ,  $D = 2\%$

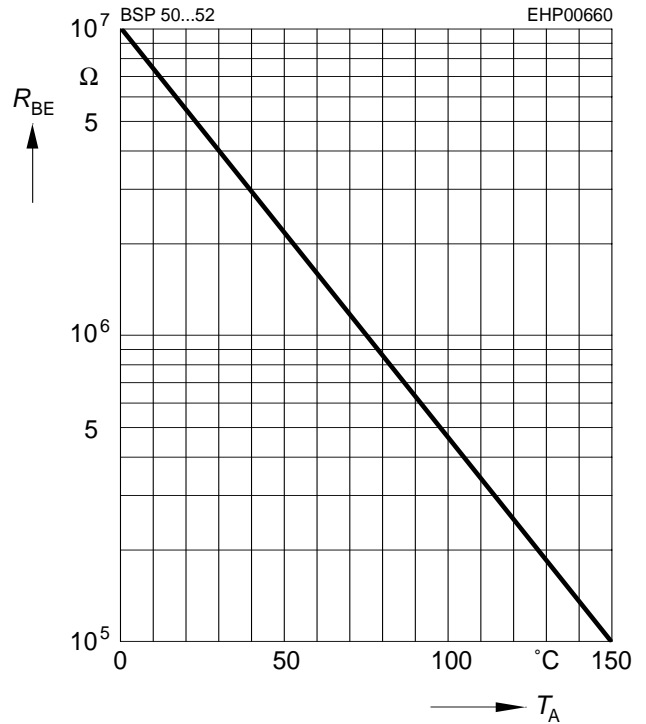
**Total power dissipation  $P_{tot} = f(T_S)$**



**External resistance  $R_{BE} = f(T_A)^{**}$**

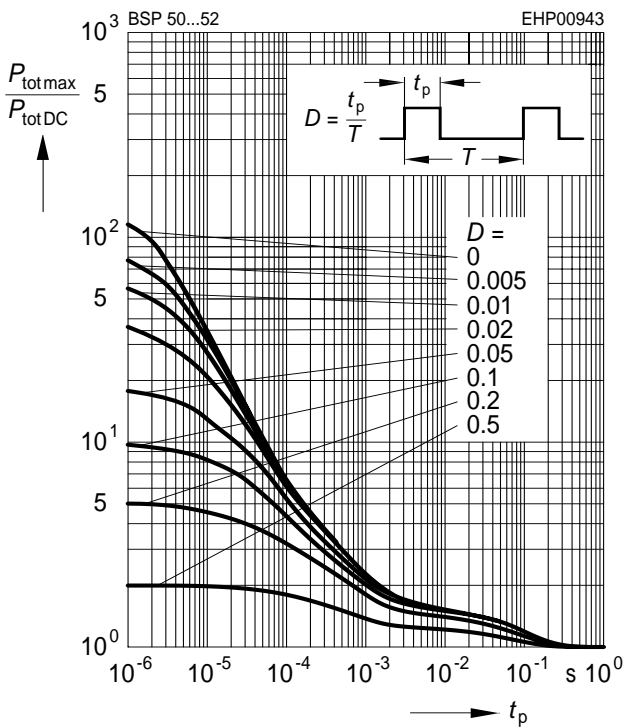
$V_{CB} = V_{CEmax}$

\*\*  $R_{BEmax}$  for thermal stability



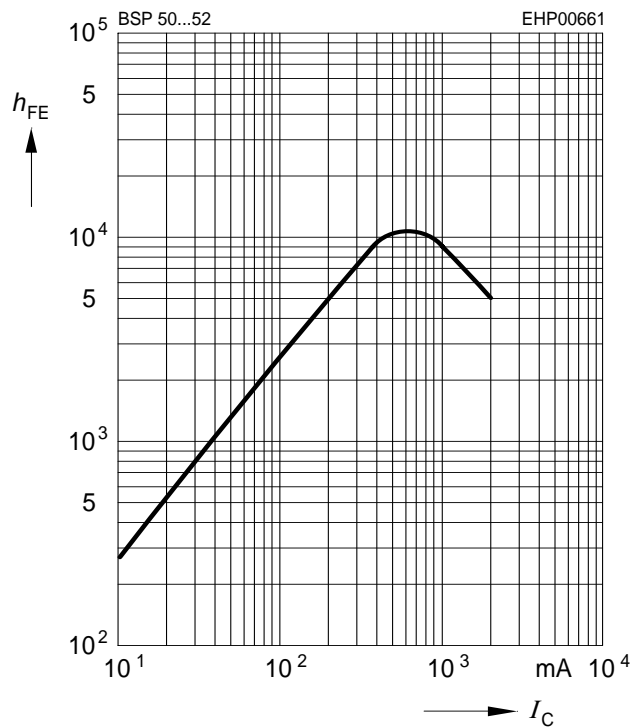
**Permissible pulse load**

$P_{totmax} / P_{totDC} = f(t_p)$



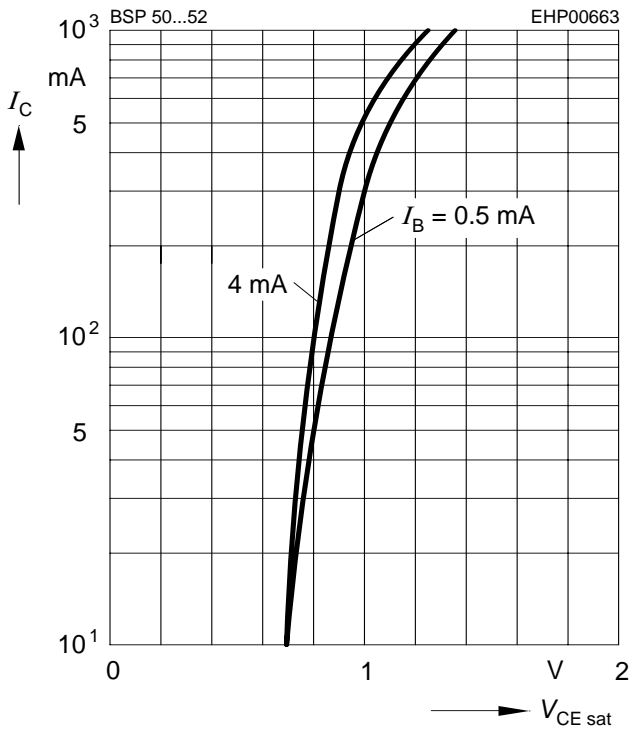
**DC current gain  $h_{FE} = f(I_C)$**

$V_{CE} = 10V$



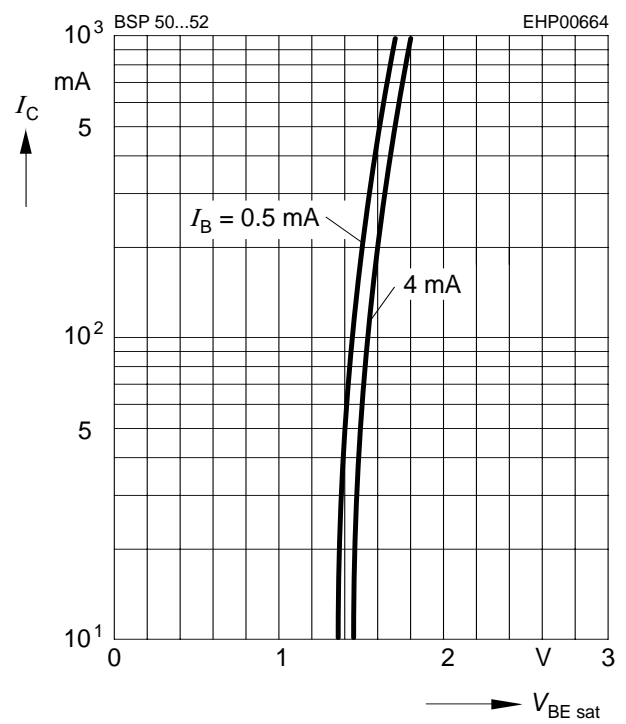
**Collector-emitter saturation voltage**

$I_C = f(V_{CEsat}), I_B$  - parameter



**Base-emitter saturation voltage**

$I_C = f(V_{BEsat}), I_B$  - parameter



**Transition frequency  $f_T = f(I_C)$**

$V_{CE} = 5V, f = 100MHz$

